

# SVARC GAP

SEAWAY VALLEY AMATEUR RADIO CLUB  
P.O. BOX 462, CORNWALL, ONTARIO K6H 5T2

VOLUME 2, NUMBER 4, - SEPTEMBER / OCTOBER, 1994

## DUMMY LOAD

For this month's issue of Dummy Load you get a new author. Marc, VE3TES, decided to resign from the club for personal reasons, and as Vice President, Tim, VE3HCB, found himself with the dubious honour of being the President.

I am going to try to change a few things. A lively discussion has been going on among several of the members about the direction the club should take. Right now, we don't seem to have a goal to work toward. Any club that exists has to have a goal, or it will soon cease to exist. The ones that we set ourselves in the past seem to have been accomplished - a good repeater system in place, a solid training program, a growing packet radio group, etc. All of these goals have been accomplished via the ongoing work of a number of people, and some of them are still working hard at those tasks. They all deserve our heartfelt thanks and respect. And our help.

One of the changes I want to institute is to lessen the length of the business part of the general meetings. This part is boring for most of the members, and for the most part, a written summary, whether passed out at the meeting or printed in the newsletter would be sufficient.

Of course, some things will have to be discussed among all the members, and those discussions will take place. We want to try to limit the business part of the meeting to a maximum of 45 minutes, with thirty minutes being the goal. This hobby is supposed to be a fun thing, and the meetings should be a fun and learning experience too. For September 12th, we aren't too sure what we will do for the rest of the meeting, but we expect we will have several of the new people taking the fall course in attendance, so maybe a get-acquainted meeting is in order. I still have trouble connecting names, callsigns and faces so I guess I could use it too. I think I called about four different people 'Leonard' (VE3OJL) during the last net I ran, and

poor Mike (VE3HYB)... I call him everything but! Sorry about that, guys.

The executive has brainstormed a number of things for future meetings, and we also welcome any suggestions you may have to offer. Of course, if you are interested in describing to the group something you have found interesting, educational or just plain fun about radio, we are interested in hearing about it. Other things we are looking at are the Scouts' Jamboree of the Air for which we need the use of a few HF stations - at the shacks themselves because that's what the hobby is; a link with the Red Cross as communications people in an emergency; expanding our link with the city's Emergency Coordination Group for the same reason, Snowarama, Summer games, etc.

For events like the Snowarama, having a communications person at every checkpoint reduces the cost of their liability insurance for the event significantly. This means that more of the money these groups raise goes to the activity that it is intended for. This reduces the administrative percentage of their operation, and that percentage is one of the reasons people balk at giving to many otherwise worthwhile charities.

*(continued on page 2)*

## IN THIS ISSUE

- Book Review: Eastern Ontario Monitor's Directory by VE3ZPT
- New Monday Night Net Format
- SVARC Executive Changes
- Scanner News

That's like giving the group a large donation, and all we have to do is show up with our gear and help out!

By the time this issue of the newsletter reaches you, our fall basic course will have started. The first class was on the 8th of September at TCTI. We are also looking at putting on a code course, hopefully starting soon thereafter. We are looking for volunteers to assist.

We are going to discuss the way we are handling the Monday night nets. While the idea of having everybody take a turn at handling a net is great in theory, it isn't working in practice. For a bunch of people whose hobby is communications, we don't communicate very well. Not only doesn't it work, it seems to have scared everybody off the repeater for fear of being asked to do a net or something! Honest, that wasn't the idea.

That's it for this issue. Got to let Doug get this typed into the newsletter.

Tim Smith VE3HCB

## S.V.A.R.C. EXECUTIVE CHANGES

The resignation of our elected President, Marc R. Tessier VE3TES this past summer necessitated some changes in the composition of the club executive committee. As of September 12, 1994, this consists of:

President:	Tim Smith	VE3HCB
Vice President:	Eric Meth	VE3EI
Treasurer:	Andy Rugg	VA3TEE
Secretary:	(vacant)	
Past President:	Doug Pearson	VE3HTR
Net Manager:	Bert Lussier	VE3TNL
Technical Director:	Eric Meth	VE3EI
Training Director:	Doug Pearson	VE3HTR
Repeater Licensee:	Ed Halliwell	VE3FHI
Repeater Coordinator:	Graham MacDonald	VE3IGM
Newsletter Editor:	Doug Pearson	VE3HTR (vacant Nov. 94)

There was some discussion on the merits of holding a bi-election at the November 94 Annual meeting, in order to fill the vacancies which will exist at that time. The next regular election is not due until November 95. So if you would like to be Secretary or Newsletter Editor, or know anyone else who might be willing to accept one of these positions, please contact any of the executive committee members listed above.

## 1994 BASIC AMATEUR RADIO COURSE

The Seaway Valley Amateur Radio Club's fall 94 Basic Course began on Thursday, September 8, with nine eager students enrolled and anxiously looking forward to being Cornwall's newest amateurs. The course will be every Tuesday and alternate Thursdays until December 6, when Bob Mac Sween VE3KCP, our resident Industry Canada approved volunteer examiner, administers the final examination. Instructors this year are as follows:

- Bob Branchard VE3ZBR
- Earle DePass VE3IMP
- Jim Devine VE3ZPT
- Dave Holford VE3HLU
- Robert Mac Sween VE3KCP
- Eric Meth VE3EI
- Hermanna Noorthoek VE3UNV
- Doug Pearson VE3HTR

You may notice several new names on this list. I am sure I speak for the club when I extend my thanks and express my appreciation to these new instructors who offered their time so generously.

Doug Pearson VE3HTR  
Training Director, S.V.A.R.C.

\* \* \*

## TREASURER'S REPORT

The club remains in good financial condition, with a cash balance of \$ 1,858 at mid-September. The June Hamfest generated a financial profit of \$ 335. For the rest of the year, the club's finances are expected to stay healthy. Now that the club is an incorporated company, we file a number of legal and accounting returns with various governments. Our first major test was the Federal Income Tax Return, which was accepted as correct in early September.

\* \* \*

A raffle is the closing event of our annual Hamfest. Under the terms of our Official Lottery License, the Province of Ontario requires us to publicize the winnings, which resulted from a public drawing at noon-time, June 18. The specific results were:

<u>Prize Winners</u>	<u>Description of Prize</u>
Richard Charette VE3CRF, Hawkesbury	Midland "VHF" Transceiver
Timothy Smith VE3HCB, Cornwall	Kantronics model KPC-3 Packet Radio Controller

Andy Rugg, VA3TEE

## SEAWAY VALLEY AMATEUR RADIO CLUB NET CONTROL PREAMBLE

Good Evening to all on frequency and to all those in scanner land. This is \_\_\_\_\_, VE3 \_\_\_\_, Net Control station for the Seaway Valley Amateur Radio Club Net. This is an open and informal Net. The Net meets at 19:00 hours local time each Monday simultaneously on 147.18 Mhz VHF & 443.650 Mhz UHF.

This repeater is located in Cornwall Ont and the Net Manager is Norbert , VE3TNL. Anyone with enquiries about the Seaway Valley Amateur Radio Club, and / or it's activities can write to:

P.O. Box 462  
Cornwall, Ontario.  
K6H 5T2

All on frequency on both sides of the international boundary are welcome to check in.

Is there any Priority Traffic?  
(Short Break for reply)

Are there any Mobiles or portables wishing to check in?

(Short Break for reply)

Are there any further checkins for the Seaway Valley Amateur Radio Club Net?

This is \_\_\_\_\_, VE3 \_\_\_\_\_, your net control station for this evening.

(Optional on the air )

Summary:

There were \_\_\_\_\_ Priority Messages  
and \_\_\_\_\_ Mobiles checked in  
and \_\_\_\_\_ regular checkins.

The net is now closed at \_\_\_\_\_ Hrs, and the repeater, VE3SVC is returned to regular use. Thanks to all that checked in

**Note to Net controllers.** Please provide a list of check-ins by call sign only and the summary to the net manager. This may be done on the air, by phone , or by packet radio. Of course you may still turn in the log sheet. Let's make it simple and let's make it work. Please keep dead air time as short as possible.

\* \* \*

## NET CONTROL PROCEDURES

I was approached by the club executive and have agreeded to take over the management of the SEAWAY VALLEY AMATEUR RADIO CLUB NET. I have proposed some changes and hope you will like them and join us on the net. Some of the changes were discussed at the Sept. meeting.

The previous schedule ran into problems and was not working effectively. We will now have a core of 5 to 6 net controllers. Each one will be responsible for 1 week per month with a few spare controllers to rotate or fill in as required. A schedule is being put together and will published in the next newsletter.

A typical net preamble is included for everyone to use should it be required. Please keep a copy handy.

New or Changed Net features:

1. Shorten preamble eliminating superfluous items.
2. Elimination of the need to state power source.
3. RAC Bulletins will be read on the net when they are available.
4. Formal Traffic will be accepted on NET and passed on to the National Traffic System (NTS) via the Ontario Phone Net (OPN). Contact Bert VE3TNL
5. Anyone having an item of interest or a topic they wish to discuss are welcome to bring it to the net. (Topics related to radios, propagation, antennas, packet radio, and other technical problems. Computers and programming problems.)

This is your net. Let us make it something more than just a straight check-in / check-out net. Friendly discussion will be invited and encouraged. Your input, participation and suggestions are most welcome. Please contact the Net Manager, Norbert Lussier VE3TNL at 938-4854 or via packet to VE3THL@VE3NUU BBS.

Let us strive to truly become an amateur radio fraternity. Let us help our fellow amateurs and the community we live in. Each one of us can contribute a little.

Best 73's  
Bert VE3TNL

## SCANNER NEWS

Welcome to the fourth installment of the SVARC Gap Scanner News. This column focuses on frequencies above 30 MHz. and outside the Amateur bands. Please pass along any information of this sort which you think would be of interest to the membership. Packet is one of the best ways: VE3HTR @VE3IGM.

\* \* \*

Jim Devine, VE3ZPT is a regular contributor to both the SVARC GAP and DX Ontario, the monthly publication of the Ontario DX Association (ODXA). His long awaited book, Eastern Ontario VHF / UHF Monitor's Directory is finally available, and it was worth the wait!

Last issue's article by Jim, "Monitoring and the Law" was actually a sneak preview of one small section of the book. Contained within its 75+ pages is a wealth of information on scanners and receivers, antennas, how to get the most out of the equipment, 10 codes, radio systems, safety ("read this if you read nothing else" is how it's introduced) and, well, just about everything a new scanner owner needs to know to get started. The technical level is aimed at the non-expert, which is exactly where it should be for a book of this sort.

And then there are the frequency listings. The first one runs 21 pages in length, with 53 entries on each page. (I can hear the calculator keys clicking already. I'll save you the trouble.) That's a total of 1113 frequencies, sorted in numerical order. Following that are the same 1113 entries, this time appearing alphabetically by user description. There is no need for another list sorted by location as all can be heard from the Cornwall area (depending on your receiver and antenna location, of course!). Coverage is from 30 Mhz. to 930 Mhz., and includes nearby Quebec and New York stations.

Never has such a massive compilation of frequency data been available specifically for our area, and Jim is to be commended for his effort. The book sells for \$ 12.00 including all taxes and free delivery within 50 Km. of Cornwall from:

James R. Devine  
R.R. No. 1, Box 7035  
Cornwall, Ontario  
Canada K6H 5R5

If you are further than 50 Km. away, please add \$ 2.00 for shipping. The book is also available from I.E.S. Communications in Cornwall. Look for their address elsewhere in this issue.

\* \* \*  
So just what is at Avonmore? Well, it is best known as one of the sites the Ontario government implemented as part of the province - wide O.P.P. move from low band (42 Mhz.) to VHF high band (138 to 144 Mhz.) just below the 2 metre ham band.

The O.P.P. system uses a "mini-trunking" scheme, where two or more channels per site are under computer control. The radio in the police car is controlled by the nearest "Comm Centre" (Kanata, in the case of the Avonmore site) via the computer tones transmitted on one of the "Tower Frequencies" for that site. These tones are not unlike packet, as they are at 1200 BPS and use the same Bell 202 modem tones. The proprietary data format of this "Marker Tone" indicates to the mobile unit the channel and site it should tune to next as it scans through all assigned frequencies. These tones also acts like a digital pager, in that various predetermined messages can be transmitted. Support for future mobile video terminals is also included.

Each mobile also includes a VHF / UHF crossband repeater, which allows the officer to use his UHF portable to contact the nearest site using the higher powered VHF mobile transmitter, or to talk to other portables using UHF simplex. In all, with the X band CW Doppler speed radar and the "radar detector detector", there is quite an electronics package in today's O.P.P. cruiser!

Mobiles operate on different frequencies, and are not usually rebroadcast on the corresponding tower frequency unless in they are engaged in a phone patch or are in "tactical mode" (like a big party line). One way to monitor is to program all local mobile and tower frequencies, but lock out those where a marker tone is discovered. When activity is encountered, it is usually possible to follow both sites of the conversation by manually switching between the mobile and its corresponding tower frequency.

A better way is to use CTCSS (Continuous Tone Coded Squelch System) to look for the 107.2 Hz. sub audible tone transmitted by the tower during voice transmissions but not during the marker tone. Many amateur VHF transceivers include a CTCSS Encoder, but it is a Decoder that is required here, and this is often an optional (\$\$\$) accessory. (Be aware that not all radios will scan past a channel with a marker tone on it but no audio! The Yaesu FT-470 does it right. Unfortunately, the Icom IC2SAT and Alinco DJ-580 portables, do not!)

Regardless of the method you use, a good antenna is required to hear the mobiles. *(continued on p. 5)*

Frequencies to try in the Cornwall area include:

138.750	Mobiles, all Ontario police forces
139.080	Mobiles, to bases on 143.100
139.155	Mobiles, to bases on 141.435
139.185	Mobiles, to bases on 141.195
139.215	Mobiles, to bases on 141.360
139.290	Mobiles, to bases on 141.495
139.320	Mobiles, to bases on 141.555
139.395	Mobiles, to bases on 142.830
139.470	Mobiles, to bases on 141.390
140.970	O.P.P. Simplex Car - to Car
141.195	O.P.P. Avonmore Tower, Ch. 1B
141.360	O.P.P. Tower, Ch. 5A
141.390	O.P.P. Avonmore Tower, Ch. 1A
141.435	O.P.P. Tower, Ch. 2A
141.495	O.P.P. Avonmore Tower, Ch. 4B
141.555	O.P.P. Tower, Ch. 7A
142.770	Ontario common, all police forces
142.830	O.P.P. Tower, Ch. 9C
143.100	O.P.P. Tower, Ch. 8C
411.3125	O.P.P. Portables, Ch. P1
411.5125	O.P.P. Portables, Ch. P2
411.7875	O.P.P. Portables, Ch. P3
415.3125	O.P.P. Portables, Ch. P4

Other services besides the Ontario Provincial Police employ the Avonmore transmitter site.

These include:

143.805	Ont. Ministry of Transport
143.850	Ont. Ministry of Transport
149.440	Ont. Ministry of Health, Ambulance
151.100	Ont. Ministry of Health, Ambulance

\* \* \*

The March/April Scanner News column highlighted the St. Andrews West transmitter site, former home to the low band O.P.P. system for this area. Since then, a new antenna has appeared on the South West face of the tower at the 125 foot level. This is a Sinclair four bay folded dipole array set to produce a cardioid (9 dB gain) pattern favoring the St. Lawrence River to the west. Revenue Canada, Customs and Excise, has established a repeater here, on 141.270 Mhz., remotely controlled from Lansdown, Ont., in order to communicate with their Customs officers responsible for the St. Lawrence River. This has no connection with the local Cornwall Customs operations, who use 408.9875, 425.5625 and 425.6875 Mhz. for communications.

\* \* \*

Next issue: Continuous Tone Coded Squelch System (CTCSS or "PL") and how to take advantage of it, both inside and outside the amateur frequency bands.

# ***I E S*** COMMUNICATIONS

500 12TH STREET WEST. CORNWALL, ON K6J 3E4  
TELEPHONE (613) 930-2165, FAX: (613) 930-4838

**EASTERN ONTARIO'S NEWEST AMATEUR RADIO DEALER**

**ERIC METH VE3EI**

- o MIDLAND AMATEUR RADIO PRODUCTS
- o PACCOMM PACKET RADIO SYSTEMS
- o SINCLABS AMATEUR RADIO PRODUCTS
- o LARSEN ANTENNA PRODUCTS
- o TEXPRO AMATEUR RADIO PRODUCTS

SALES - SERVICE - ACCESSORIES

WE SERVICE ALL AMATEUR RADIO PRODUCTS

WE ARE ALSO PREPARED TO QUOTE ON AMATEUR RADIO REPEATER SYSTEMS, PACKET NODES, AND OTHER SPECIALIZED RADIO SYSTEMS !!!!!



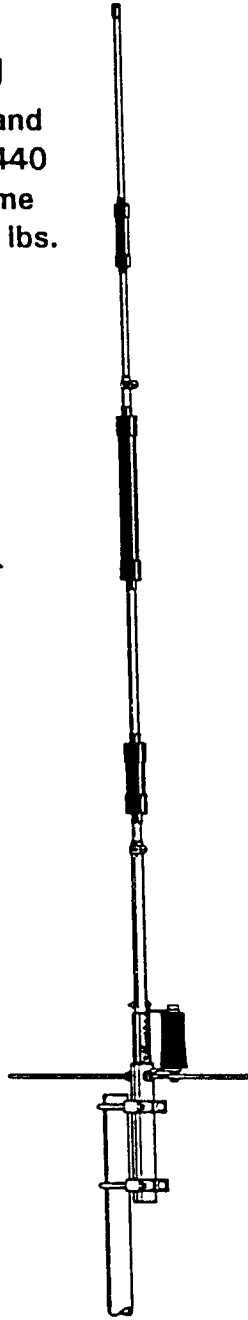
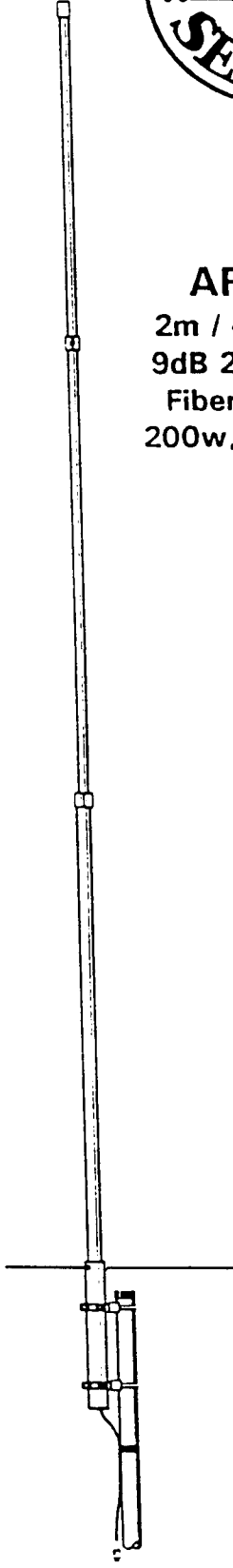
Cushcraft  
Factory  
Authorized  
Dealer



New Antennas from  
-- In stock *NOW* at Seaway! --

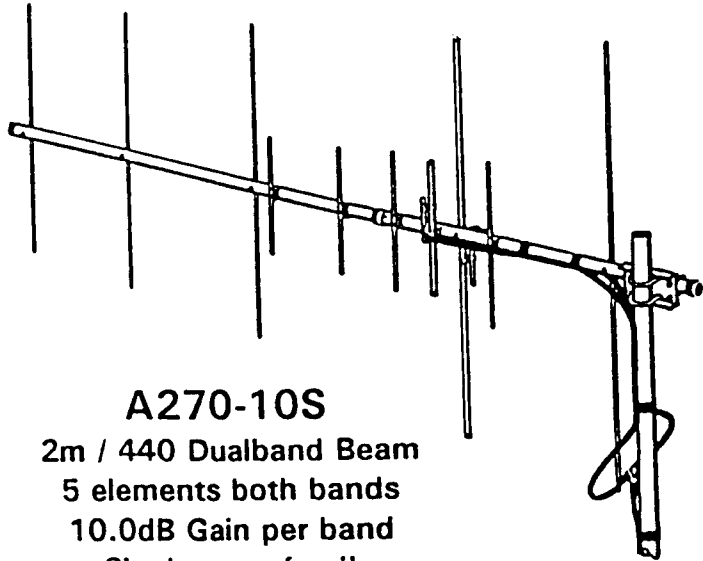
**ARX-270U**

2m / 440 Dualband  
9dB 2m / 12dB 440  
Fiberglass radome  
200w, 16.5 ft, 5 lbs.



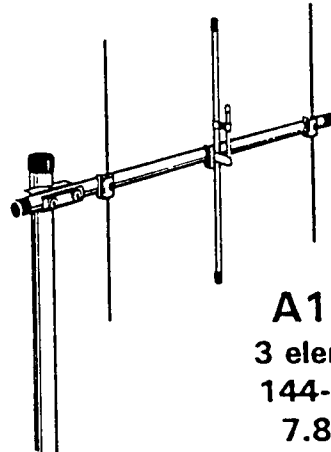
**AR-270B**

2m / 440 Dualband  
5.5dB 2m / 7.5dB 440  
250w, 7.7 ft, 2.4 lbs.



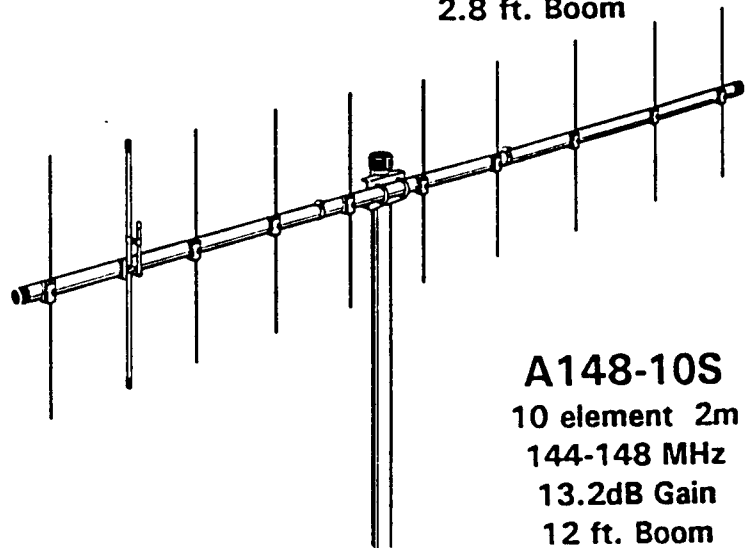
**A270-10S**

2m / 440 Dualband Beam  
5 elements both bands  
10.0dB Gain per band  
Single coax feed!



**A148-3S**

3 element 2m  
144-148 MHz  
7.8dB Gain  
2.8 ft. Boom



**A148-10S**

10 element 2m  
144-148 MHz  
13.2dB Gain  
12 ft. Boom

Seaway Valley Amateur Radio Club  
Membership List

Call	First Name	Last Name	Street Address	City	Phone
	Richard J.	ABELL	752 Montcalm Court	Cornwall,	ONT (613)-933-8507
	Mike	DESGROSEILLERS	142 Alice St.	Cornwall,	ONT (613)-936-8687
	Margaret	HAMILTON	R.R.#1	Morrisburg,	ONT (613)-543-2555
	Trevor	OUDEKIRK	429 Aberdeen Ave	Cornwall,	ONT (613)-936-1034
	John	ROWDEN	3211 Johnston Ave.	Cornwall,	ONT (613)-932-8270
	Ida	CARTLEDGE	R.R.#1	Cornwall,	ONT
	Chris	PURDY	3481 Rosedale Ave.	Cornwall,	ONT (613)-936-8063
	Wayne	SMITH	312 Main St.	Lancaster,	ONT (613)-347-1272
	Marguerite	HODGSON	526 Blossom Park Dr.	Cornwall,	ONT
	Ken	BOVINGTON	1107 Churchill St	CORNWALL	ONT (613)-932-1744
	David	DOYON	641 Dundas Crescent	CORNWALL	ONT (613)-932-0762
	Maurice	DOYON	3013 Johnston Ave	CORNWALL	ONT (613)-932-3169
	Gaetan	LAVERGNE	P.O. Box 124 (9A Main St)	MAXVILLE	ONT (613)-527-2482
	John	OLIVER	P.O. Box 26 R.R 2	GREEN VALLEY	ONT (613)-525-4308
	Joseph Wayne	SAUVE	R.R. 1	LONG SAULT	ONT (613)-933-6342
	Wilma	SCOTT	1489 Holy Cross Blvd	CORNWALL	ONT (613)-932-4786
	John	NAULT	120 Augustus St	CORNWALL	ONT (613)-933-9572
N4MLO	Art	STANFORD	3315 Montreal Road	Cornwall,	ONT (613)-932-0626
VA3GWC	George	CAMPBELL	606 Surgenor St.	Cornwall,	ONT (613)-932-4315
VA3GWC	George	CAMPBELL	606 Surgenor St.	CORNWALL	ONT (613)-932-4315 833
VA3MJW	Michael J.	WELSH	1600 Birmingham Cr. Unit 26	Cornwall,	ONT (613)-937-0379 828
VA3TEE	Andy	RUGG	375 Ivan Ct.	Cornwall,	ONT (613)-938-8340 829
VE2GBK	Yves	GRENIER	P.O. Box 562	Alymer,	QUE
VE3AFT	Alex	HAMILTON	R.R.#1	Morrisburg,	ONT (613)-543-2555
VE3AP	Mailes	DIER	R.R. #1	Finch,	ONT (613)-346-2073
VE3AWO	Ralph	DIXON	R.R.#1	Williamstown,	ONT (613)-347-2555 815
VE3AXP	Gord	HORTON	1412 Charles St.	Cornwall,	ONT (613)-938-1883 832
VE3BTM	Claude J.	RAY	1309 Lascelle Ave.	Cornwall,	ONT (613)-933-3531
VE3CGM	Christina	MACDONALD	1215 Osborne Ave.	Cornwall,	ONT (613)-933-4546
VE3CYP	Christopher	MILLER	5 Simcoe St.	Long Sault,	ONT (613)-534-2917 806
VE3DJK	Rees	POWELL	R.R.#3 Box 71 Shady Acres.	Keene,	ONT
VE3DXA	Bill	SULLIVAN	3456 Bruce Street	CORNWALL	ONT (613)-938-4823 837
VE3EI	Eric	METH	R.R.#1	Monkland,	ONT (613)-346-2489 811
VE3EZH	Elizabeth	HALLIWELL	R.R.#1	St. Andrews West,	ONT (613)-933-0132 814
VE3FHI	Ed	HALLIWELL	R.R.#1	St. Andrews West,	ONT (613)-933-0132 814
VE3FIG	Alphege	POND	35 Loyalist Cr. R.R.#3	Ingleside,	ONT (613)-534-2174 802
VE3FKJ	Kevin	FRASER	1405 Boyd St.	Cornwall,	ONT (613)-933-2332
VE3GVT	Gavin	TAVERNER			(613)-938-8629 838
VE3HBQ	Branko	NAKIC	520 Gloucester St.	Cornwall,	ONT (613)-933-7691
VE3HCB	Tim	SMITH	1489 Holy Cross Blvd	CORNWALL	ONT (613)-932-4786 817
VE3HCO	Marcel	MASSE	R.R.#2	Crysler,	ONT (613)-987-5281
VE3HDN	Don	HALLBERG	P.O. Box 594	Long Sault,	ONT (613)-534-2782 807
VE3HEI	Evan	HALLIWELL	R.R.#1	St. Andrews West	ONT (613)-933-0132 814
VE3HLU	Dave	HOLFORD	R.R.#1 Rae Road	Cornwall,	ONT (613)-931-2185 823
VE3HRB	Herb A.	GILLINGHAM	Sandringham Road R.R.#1	Moose Creek,	ONT (613)-538-2953 813
VE3HTR	Doug	PEARSON	1876 Belvedere Cres.	CORNWALL	ONT (613)-937-4755
VE3HYB	Michael	BERTHIAUME	4 Melberry	Cornwall,	ONT (613)-932-7916 842
VE3IGM	Graham	MACDONALD	1215 Osborne Ave.	Cornwall,	Ont (613)-933-4546
VE3JCD	Hugh	DANCAUSE	1605 Joyce St.	Cornwall,	ONT (613)-933-2837 841
VE3JCZ	Patrick J.	CREAMER	708 Guy St.	Cornwall,	ONT (613)-938-2954 820
VE3KCP	Bob	MACSWEEN			(613)-936-8898

Seaway Valley Amateur Radio Club  
Membership List

Call	First Name	Last Name	Street Address	City	Phone
VE3KCV	Ronald	SHEARER	R.R.#1	Monkland,	ONT (613)-346-2324
VE3KJV	Doris	HOLFORD	R.R.#1 Rae Rd.	Cornwall,	ONT (613)-931-2185
VE3MQS	Michael	SALHANY	1715 Jane St.	Cornwall,	ONT (613)-932-7344 830
VE3MQU	James R.	McQUINN	R.R.#1	Monkland,	ONT (613)-346-2662 812
VE3MTD	Marc P.	TESSIER	206 Prince Arthur St.	Cornwall,	ONT (613)-937-4218 818
VE3NVP	Peter	PURDY	3481 Rosedale Ave.	Cornwall,	ONT (613)-938-3896 840
VE3NVW	Ralph	RANDLETT	Lot 42 Island 17	Long Sault,	ONT (613)-534-8362
VE3OAE	Jack	GIRARD	130 Heritage Place	Cornwall,	ONT (613)-936-0237 836
VE3OFJ	Clermont	CHARLAND	52 Hickory Ave.	Ingleside,	ONT (613)-537-8780 803
VE3OJN	Mel	MASSIA	R.R.#3 Box 241	Crysler,	ONT (613)-987-2159
VE3OLB	Leonard	BOILEAU	1132 Dunkirk Street	CORNWALL	ONT (613)-932-7212 816
VE3OPL	James	MCCLLENAGHAN	751 Guy St.	Cornwall,	ONT (613)-933-2019
VE3OYO	Robert	POIRIER	Route 500 West.	Casselman,	ONT (613)-764-3391
VE3PMX	Matt	PURDY	3481 Rosedale Ave.	Cornwall,	ONT (613)-936-8063
VE3POK	Paul	DANCOSE			
VE3RWY	Bill	YAKAMOVICH			804
VE3SJM	Dave	WELLS	P.O. Box 13	Martintown,	ONT (613)-528-4908 809
VE3SPD	Richard	LEMAY	P.O. Box 472	Cornwall,	ONT (613)-937-4788 825
VE3SYO	George	PATRICK	1400 Queen St.	Cornwall,	ONT (613)-932-8986
VE3TCE	Forrest	RIETZE	19 Ouellette Ave.	Long Sault,	ONT (613)-534-8889 808
VE3TES	Marc	TESSIER	29 Gloucester St. S. Unit 113	Cornwall,	ONT (613)-936-0096 878
VE3THL	Jack	SEGUIN	828 Carleton St.	Cornwall,	ONT (613)-933-3451 821
VE3THQ	Andre	DESGROSEILLERS	324 Fifth St. W.	Cornwall,	ONT (613)-936-9445 834
VE3THT	Sean	O'DUFFY	37 Santa Cruz Dr.	Ingleside,	ONT (613)-537-2218
VE3TMI	Paul	LACELLE	1408 Lochiel St.	Cornwall,	ONT (613)-933-7065 826
VE3TNL	Norbert	LUSSIER	642 Guy Street	CORNWALL	ONT (613)-938-4854 819
VE3UNB	Neil	DIXON	3465 Marydale Ave.	Cornwall,	ONT (613)-932-8357 839
VE3UNV	Hermann	NOORTHOEK	R.R.#1	Maxville,	ONT (613)-527-2398 810
VE3UXE	David	MILLER	7 MacKay Ave.	Cornwall,	ONT (613)-930-9276
VE3UYA	Joanne	BATTAH	746 Laflin St. Apt. 214	Cornwall,	ONT (613)-936-2969
VE3UYB	Patricia	O'DUFFY	37 Santa Cruz Dr.	Ingleside,	ONT (613)-537-2218
VE3UYC	Richard	MEISNER	R.R. #2	Apple Hill,	ONT (613)-528-4456 801
VE3UYD	Francis	RYAN	36 Bryden Ave.	Cornwall,	ONT (613)-933-2619 822
VE3VIA	Jacques	D'AVIGNON	965 Lincond Dr.	Kingston,	ONT
VE3VSD	Robert	FLEURY	P.O. Box 174	South Lancaster,	ONT (613)-347-1724
VE3VYC	Jocelyne	BREIVE	R.R.#2	Apple Hill,	ONT (613)-528-4456
VE3WGM	Gail	MACDONALD	1215 Osborne Ave.	Cornwall,	Ont (613)-933-4546
VE3WJF	John F.	WOOD	R.R.#1 Conc 7	Martintown,	ONT (613)-528-4697
VE3WQS	Wayne	SALHANY	1715 Jane St.	Cornwall,	ONT (613)-932-7344 830
VE3XAM	John	HARWOOD	1608 Joyce St.	Cornwall,	ONT (613)-932-3595 831
VE3XDT	Don	TOBIASEN	1758 Branch Dr.	Cornwall,	ONT (613)-938-1777 835
VE3XJV	John	VINING	321 Water St. E.	Cornwall,	ONT (613)-932-7933
VE3XXO	Donovan	DREHER	R.R.#3 Cornwall Is.	Cornwall,	ONT
VE3YDI	Diane	DUMOULIN	764 Champlain Dr.	Cornwall,	ONT 827
VE32BR	Robert	BRANCHARD	19 Spruce Street	Ingleside,	ONT (613)-537-2964 805
VE32CD	Carolyn	BRANCHARD	19 Spruce Street	Ingleside,	ONT (613)-537-2964
VE32LU	Stephen	GALLINGER			(613)-932-3193
VE32PT	Jim	DEVINE	R.R.#1 Box 7035	Cornwall,	ONT (613)-931-1556 824
VE7???	William J.	DIPSASQUALE	#9 12411 Trites Rd.	Richmond,	B.C ( )-275-9580
VE7XFF	Michael	FORBES	2355 Valley View Dr. Unit #2	Courtenay,	B.C