

# SVARC GAP

SEAWAY VALLEY AMATEUR RADIO CLUB  
P.O. BOX 462, CORNWALL, ONTARIO K6H 5T2

VOLUME 2, NUMBER 3, - MAY / JUNE, 1994

## DUMMY LOAD

Greetings! Well, with the summer months fast approaching, we can only be gearing up for all the area hamfests. This year is no exception to any other, and again this year the S.V.A.R.C. will be hosting its second annual Hamfest. At the time I wrote this article, we have booked 17 tables, and more on the way. We have 58 tables available for this year's fest, that's 18 more than last year. Now the record to break will be the attendance record. Last year stands at 202 attendees.

This year's venue will be the Nativity Hall located at 301 McConnell Ave. This site is larger, more accessible and not to mention cheaper! Last year's site had problems including poor parking arrangements, lack of commitment for an early booking, smaller in size and had no wheelchair access. All of which have been corrected with the new site. Also included this year will be a section for sitting, eating and chatting. We have set aside an area with ten tables for this purpose. This is something that no good Hamfest should go without.

Soon there will be a hunt for people to help out in the following areas;

## IN THIS ISSUE

- SVARC Net Control Stations
- Packet News - CORNWA Node
- Scanner News
- Repeater Operation Guidelines
- Swap Shop Listings

1. Setup - This will involve arriving at the site of this years Hamfest to aid with the arrangement and setup of tables to complete the floor plan.

2. Concession Stand - This will involve the operation of the concession stand on the day of the Hamfest. This individual would be responsible for the purchasing of the needed foods to operate the stand, e.g., weiners, hot dog buns, coffee, soft drinks, etc.

3. Administration of the Vendors - This will involve the placement of the Vendors as they arrive on the morning of the fest. I will be helping out with this task.

4. Finally Clean up -- This will involve the re-arrangement of all the tables back to their original position.

As I said at the last general meeting Hamfest will almost sell itself from this point on. We are hoping to fill the new site with all 58 tables rented. This task will be difficult without the help I had last year.

At this time I would like to thank Graham MacDonald VE3IGM for all the assistance he gave me last year. Without your aid, it would have been impossible to be so successful. This year it will be a challenge to pull this off without you. Thank You Graham for all your help.

I would also at this time like to remind the membership that the club is still in the need of a secretary. If you feel you could fill this position or know of a person that could or would like to do this task, please come forward and announce your intentions to any member of the executive.

Also I would like to remind all the members, that there is still a need for a newsletter editor. Doug VE3HTR has taken on this task until a replacement can be found. There was a plan mentioned that several people could participate in this task of editing the newsletter. *(continued on page 2)*

This would not only return the newsletter back to its original format of a monthly publication, as well as involve other club members in club activities. It seems to go without saying that it seems to be the same few that are carrying the weight of this club. We now have almost 70 members again and I see no reason good enough to bestow this task on Doug alone. So if you have a computer and would like to participate in this project please inform Tim Smith VE3HCB about your intentions.

This is a reminder to the membership that the club will close down for the months of July and August and will resume regular activities in September. The projected date of re-opening of club business will be September 12, 1994.

I would like to at this time wish all of you a safe and happy spring, and hope that only the best will come to each member and their family.  
73 and CUL ...

Regards,  
Marc R. Tessier  
VE3TES

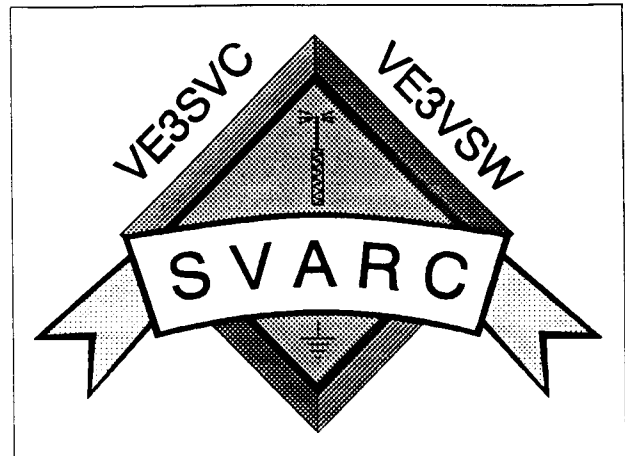
### S.V.A.R.C. NET CONTROL STATIONS

As discussed and passed at the January Meeting, the format for the net operations will be as follows;

1. Each member that has been heard operating on 2 meters in the last little while, will take their turn at controlling a net.
2. Also aside of each members net date there is a "watchdog date". On this scheduled date, it is your responsibility to ensure the net does in fact operate smoothly. If for some reason the scheduled net controller fails to show for his/her net, the person slotted for watchdog duty, will then take over the task of controlling the net.
3. If for some reason, you are not able to meet your scheduled date. It is YOUR responsibility to find a replacement. The procedure would then be that you utilize your membership list and trade dates with another member listed in the schedule. Always try to allow at least 24 hours notice, you will find it easier to get replaced this way. If all else fails you should then call the net manager "Marc Tessier VE3TES" and explain your situation.
4. You will then have to hand in your net sheet to the Net Manager at the general meeting following your scheduled date.

With membership size of 70 members, each member will be required to operate the net once a year, and likewise be the "Watchdog" once a year. This is not a difficult task, and can prove to be very enjoyable for all that participate. If you still have any questions feel free to call me @ 938-0132.

Regards,  
Marc R. Tessier, VE3TES



### PACKET NEWS

The Cornwall area Packet Node on 145.030 MHz., alias CORNWA has moved again and is now VE3SVC-2. The node was "temporarily" installed at the Transport Canada Training Institute for the Packet Radio Seminar last November. This occupied the only 2 metre antenna at VE3MTA, thus depriving (licensed amateur) students and staff the use of 2 metre voice or packet. It also "heard" too well for a local user port, due to the use of a Ringo Ranger antenna at the top of the tower.

The node was reprogrammed for the new callsign by Doug VE3HTR. Then the installation crew, consisting of Eric VE3EI, Graham VE3IGM, Don VE3XDT and Leonard VE3OLB, relocated the node to our Hotel Dieu Hospital repeater site on Saturday, April 23, 1994. It now uses a Sinclair SRL-201 Ground Plane antenna just outside the door from our equipment racks and less than 10 feet above the roof. Reduced coverage to the south is predicted due to building proximity.

The next step is the UHF user port, VE3SVC-4, on 441.000 Mhz. using an omni antenna and a 1200 / 9600 baud TNC. This will provide high speed packet network access for users, and could carry message forwarding traffic for local BBS's, relieving 145.030 Mhz. of this burden. Future plans call for a 9600 baud point to point link to VE3NUU, and just maybe an Internet connection.

**SEAWAY VALLEY AMATEUR RADIO CLUB**  
**NET CONTROL STATION ASSIGNMENTS JUNE 1994 - APRIL 1995**

CALL SIGN	FIRST NAME	LAST NAME	SCHEDULED DATE		WATCHDOG DATE	
VA3GWC	George	CAMPBELL	June 6th	94	November 14th	94
VA3MJW	Michael J.	WELSH	June 13th	94	November 21st	94
VA3TEE	Andy	RUGG	June 20th	94	November 28th	94
VE3AFT	Alex	HAMILTON	June 27th	94	December 5th	94
VE3AWO	Ralph	DIXON	July 4th	94	December 12th	94
VE3AXP	Gord	HORTON	July 11th	94	December 19th	94
VE3CYP	Christopher	MILLER	July 18th	94	December 26th	94
VE3DXA	Bill	SULLIVAN	July 25th	94	January 2nd	95
VE3EI	Eric	METH	August 1st	94	January 9th	95
VE3EZH	Elizibeth	HALLIWELL	August 15th	94	January 16th	95
VE3FHI	Ed	HALLIWELL	August 22nd	94	January 23rd	95
VE3FIG	Alphege	POND	August 29th	94	January 30th	95
VE3GVT	Gavin	TAVERNER	Sept. 5th	94	February 13th	95
VE3HCB	Timothy	SMITH	Sept. 12th	94	February 6th	95
VE3HDN	Don	HALLBERG	Sept. 19th	94	February 20th	95
VE3HEI	Evan	HALLIWELL	Sept. 26th	94	February 27th	95
VE3HLU	Dave	HOLFORD	October 3rd	94	March 6th	95
VE3HRB	Herb A.	GILLINGHAM	October 10th	94	March 13th	95
VE3HTR	Doug	PEARSON	October 17th	94	March 20th	95
VE3HYB	Michael	BERTHIAUME	October 24th	94	March 27th	95
VE3IGM	Graham	MACDONALD	October 31st	94	April 3rd	95
VE3MQS	Michael	SALHANY	November 7th	94	April 10th	95
VE3MQU	James R.	McQUINN	November 14th	94	April 17th	95
VE3OAE	Jack	GIRARD	November 21st	94	June 6th	94
VE3OJN	Mel	MASSIA	November 28th	94	June 13th	94
VE3OLB	Leonard	BOILEAU	December 5th	94	June 20th	94
VE3RWY	Bill	YAKAMOVICH	December 12th	94	June 27th	94
VE3SJM	Dave	WELLS	December 19th	94	July 4th	94
VE3SPD	Richard	LEMAY	December 26th	94	July 11th	94
VE3TCE	Forrest	RIETZE	January 2nd	94	July 18th	94
VE3THL	Jack	SEGUIN	January 9th	94	July 25th	94
VE3THQ	Andre	DESGROSELLERS	January 16th	94	August 1st	94
VE3TMI	Paul	LACELLE	January 23rd	94	August 8th	94
VE3UNB	Neil	DIXON	January 30th	94	August 15th	94
VE3UNV	Hermannna	NOORTHOEK	Febuary 6th	95	August 22nd	94
VE3UXZ	Elaine	FORTIN	Febuary 13th	95	August 29th	94
VE3UYC	Richard	MEISNER	Febuary 20th	95	September 5th	94
VE3UYD	Francis	RYAN	Febuary 27th	95	September 12th	94
VE3WGM	Gail	MACDONALD	March 6th	95	September 19th	94
VE3WQS	Wayne	SALHANY	March 13th	95	September 26th	94
VE3XAM	John	HARWOOD	March 20th	95	October 3rd	94
VE3XDT	Don	TOBIASEN	March 27th	95	October 10th	94
VE3YDI	Diane	DUMOULIN	April 3rd	95	October 17th	94
VE3ZBR	Robert	BRANCHARD	April 10th	95	October 24th	94
VE3ZCD	Carolyn	BRANCHARD	April 17th	95	October 31st	94
VE3ZPT	Jim	DEVINE	April 24th	95	November 7th	94

If for some reason you are unable to keep your scheduled date, you are responsible for finding a replacement. All you have to do is utilize your membership list and exchange dates with another member. If all else fails you can call me at 938-0132. Please try to call one day in advance.

Regards,  
 Marc R. Tessier, VE3TES  
 Net Manager

## SCANNER NEWS

Welcome to the third installment of the SVARC Gap Scanner News. This column focuses on frequencies above 30 MHz. and outside the Amateur bands. Please pass along any information of this sort which you think would be of interest to the membership. Packet is one of the best ways: VE3HTR @VE3IGM.

\* \* \*

### MONITORING AND THE LAW

Jim Devine VE3ZPT

When a criminal robs a store and he (or she) has a scanner, that's the part of the story that makes the papers. Similarly, if a reporter overhears a politician making shady deals on his cellular phone, and reports it, the shady deal is not the issue, but the reporter's actions are. In the eyes of some, the scanner made the crime possible. Many people uninitiated to our hobby equate monitors with those shadowy covert CSIS and CIA operatives who eavesdrop on embassies or spooks who wiretap for the Mob.

The Americans have a law called the Electronic Communication Privacy Act, 1986 (ECPA) which specifically forbids the monitoring of encrypted (scrambled) radio traffic, frequencies assigned to the cellular telephone and voice pager services, remote broadcast or studio-transmitter links and certain other types of transmissions. Encrypted traffic which is causing interference may be monitored ONLY long enough to establish its source. A good idea in theory, in fact, the only real thing this does is get cellular producers off the hook for ensuring their clients have the privacy they expect from "The Phone Company". Although the law is virtually unenforceable, keep this in mind if you're monitoring in the States. In addition, the Communications Act (1934) has been amended as of April 26, 1994 by the FCC to prohibit the manufacturing, or sale of NEW scanners and receivers capable of receiving "those portions of the 800 MHz band allocated to the cellular service".

So, you cannot buy a new general coverage VHF/UHF scanning receiver in the U.S. anymore and since most receivers sold in Canada are manufactured in the U.S. it will eventually effect us here. Additionally, an FCC regulation is proposed to make it mandatory that, when your unblocked scanner goes in for service, technicians are required to modify it to meet the cellular exclusion clause before returning it to you. Of course certain exceptions are made for FEDERAL law enforcement and domestic intelligence agencies and similar local agencies may apply for exemptions on a case by case basis.

Canada has no such laws. The Canadian cellular telephone industry has been pushing the government for a

complete ban on scanners without success. Industry and Science Canada's (ISC) position is that cellular privacy is the responsibility of the cellular carrier to provide. ISC will not support any attempts to legislate privacy on behalf of the cellular companies. The Radio Act does make it an offence to violate the secrecy of communications provisions and the best way to avoid that is to obey the common sense rules discussed below. Lastly if you buy an American receiver and modify it to receive cellular, your receiver may no longer be type-approved for use in Canada.

Generally the transmissions you monitor are intended specifically for the stations being called, with the exception of "MAYDAY" distress calls. But, although you are hearing transmissions that are not intended for the general public, you are NOT breaking any laws. That is as long as you obey a few common sense rules:

\* don't use any information you hear for personal or corporate gain or advantage. (This is the tow truck operator who shows up at accident scenes without being called by police.)

\* don't discuss what you hear with others. (Talking at work about personal tragedies you heard can be embarrassing.)

\* don't show up at crime scenes, air shows or closed events with scanner in hand. If you're going to attend these happenings, please be discreet.

Mobile use of scanners is not generally regulated in Canada. As a rule, it's good practise to check your local by-laws, and those of jurisdictions you plan to visit, to ensure you can legally use your receiver. Tourists please note...some countries such as the United Kingdom ban scanners altogether and simple possession of one can cost you dearly!

If while monitoring you hear a crime being committed by those you are monitoring, you'll have a hard choice to make. You'll have to decide whether or not to break the common sense rules in the interests of justice or sit back and follow the action. In no way are you encouraged to break the law, (or to try and apprehend the criminals yourself) but this is a judgement call you'll have to make with your conscience.

Whatever you do, don't give those who would destroy our hobby any more ammunition to shoot with. ALWAYS be a responsible monitor!

\* \* \*

**Next issue:** A review of Jim Devine's book, *Eastern Ontario VHF/UHF Scanner Guide*, due for release May 10, 1994. It's 80 pages long and will likely sell in the \$12.00 range. Coverage of this area is exhaustive! Also, Avonmore and the OPP.

*(Extracted from the minutes of the last Seaway Valley Amateur Radio Club, Monday, April 4, 1994.)*

**Discussion re Repeater Etiquette** Discussion centered mainly around the Toll privileges on the repeater. It is emphatic that this privilege not be misused in any way that can be construed as evasion of a toll.

**Motion** - That we adopt the ARRL guidelines as our repeater operation as amended by the meeting. Moved Eric VE3EI, Seconded Doug VE3HTR Passed. **Action - Tim to rewrite procedures**

**Motion** - That we all agree to follow the guidelines as stated by the lawful authority in Canada and that in emergencies we use common sense. Moved Francis VE3UYD, Seconded Mel, VE3OJN. Passed.

**Action - Tim and Marc to write letters to offenders to explain procedures.**

## REPEATER OPERATING PRACTICES

(From the ARRL Repeater Directory 1993/1994 Edition)

- 1) Monitor the repeater to become familiar with any peculiarities in its operation.
- 2) To initiate a contact, simply indicate that you are on frequency. Various geographical areas have different practices in making yourself heard, but generally "This is VE3XYZ monitoring" will suffice
- 3) Identify Legally; you must identify at the beginning and end of a transmission or series of transmissions and at least once every 30 minutes during the communication.
- 4) Pause between transmissions. This allows other hams to use the repeater (someone may have an emergency). On most repeaters, a pause is necessary to reset the timer.
- 5) Keep transmissions short and thoughtful. Your monologue may prevent someone with an emergency from using the repeater. Your transmissions are heard by many listeners, including non-hams with "public service band" monitors or scanners; don't give a bad impression of our service.
- 6) Use Simplex whenever possible. If you can complete your QSO on a direct frequency, there is no need to tie up the repeater and prevent others from using it.
- 7) Use the minimum amount of power necessary to maintain communications. This regulation minimizes the possibility of accessing distant repeaters on the same frequency.
- 8) Don't break into a contact unless you have something to add. Interrupting is no more polite on the air than it is in person.
- 9) Repeaters are intended primarily to facilitate mobile operation. During the commuter rush hours, base station operators should relinquish the repeater to mobile stations; some repeater groups have rules that specifically address this practice.
- 10) Many repeaters are equipped with autopatch facilities which; when properly accessed, connect the repeater to the telephone system to provide a public service. Industry Canada (IC, previously DOC) forbids using an autopatch for anything that could be construed as business communications.
- 11) The autopatch should not be used to avoid a toll call. Do not use an autopatch where regular telephone service is available. Autopatch privileges that are abused may be rescinded.
- 12) All repeaters are assembled and maintained at considerable expense and inconvenience. Usually an individual or group is responsible, and those who are regular users of a repeater should support the efforts of keeping the repeater on the air.

## EASTERN ONTARIO SWAPSHOP APR 20/94

The following items are listed on the Eastern Ontario Swap/Shop held every Wed Night at 2030 Hrs on repeater VE3SVC 147.180 MHz. The swap/shop is a service of the Cornwall Packet Group.

### ITEMS FOR SALE

ROLAND BC141 RGB/COMPOSITE VIDEO  
MON \$125 OBO  
PANASONIC PORTABLE COLOUR CAMERA  
WV3800, 2 SONY BETA PORTABLE  
PLAYBACK/REC UNIT  
WHOLE PKG FOR \$600  
VE3UNH PETER 613-938-3778

ICOM IC27H 2M MOBILE 5W/45W ... \$275.00  
US\$  
N2XBW JOHN 315-384-4668

MOTOROLA MITREK BASE 52.525 MHz C/W  
MIC & MANUAL \$325  
MCX100 32 CHANNEL VHF 30 WATT MOBILE  
W/AMATEUR FREQS W/TT MIC \$325  
MCX100 32 CHANNEL VHF 30 WATT MOBILE  
\$250  
MX300S PORT 5W VHF 48 AMATEUR FREQS  
(INCLUDING PACKET) \$200  
MX330 PORT 4W UHF 2 CHAN W/MOB  
CONSOLE \$125  
ICOM IC24AT DUAL BAND (144/440) HT \$450  
ICOM UT49 DTMF DECODER \$25  
ICOM UT51 PROGRAMMEABLE CTCSS  
ENCODER \$25  
VE3EI ERIC 613-346-2489 (EVEN) 613-930-  
2165 (DAYS)

### ITEMS FOR SALE

COMMODOR 1541 DISK DRIVE & KEYBOARD  
\$75 OBO  
VE3TES MARC 613-938-0132

HF6V BUTTERNUT VERTICAL HF ANTENNA -  
\$150  
ADVANCED INSTRUMENTS DUAL TRACE 15  
MHZ SCOPE - \$200  
SHAKESPEARE 4104 4 ELEMENT 10 METRE  
BEAM - \$50  
VE3GOZ GORD 613-933-2348

### ITEMS WANTED

386 LAPTOP COMPUTER  
60 FOOT CRANK-UP OR FOLD-OVER  
TOWER  
VE3HRB HERB 613-538-2953

386SX/DX OR 486/SX/DX COMPUTER FOR  
PACKET BBS  
VE3NUU ERIC 613-346-2489

If replying via packet radio send messages  
VE3NUU @ VE3NUU.#EON.ON.CAN  
73, Eric VE3NUU and the Cornwall Packet  
Group

# **IES** COMMUNICATIONS

500 12TH STREET WEST. CORNWALL, ON K6J 3E4  
TELEPHONE (613) 930-2165, FAX: (613) 930-4838

EASTERN ONTARIO'S NEWEST AMATEUR RADIO DEALER

ERIC METH VE3EI

- o MIDLAND AMATEUR RADIO PRODUCTS
- o PACCOMM PACKET RADIO SYSTEMS
- o SINCLABS AMATEUR RADIO PRODUCTS
- o LARSEN ANTENNA PRODUCTS
- o TEXPRO AMATEUR RADIO PRODUCTS

SALES - SERVICE - ACCESSORIES

WE SERVICE ALL AMATEUR RADIO PRODUCTS

WE ARE ALSO PREPARED TO QUOTE ON AMATEUR RADIO  
REPEATER SYSTEMS, PACKET NODES, AND OTHER  
SPECIALIZED RADIO SYSTEMS !!!!!

**The Seaway Valley Amateur Radio Club  
Presents:**

# **HAMFEST 1994**

**Saturday, June 18, 1994  
Nativity Hall  
301 McConnell Avenue  
Cornwall, Ontario**

**Doors Open for Vendors 7:30 A.M.  
Doors Open to Public 9:30 A.M.  
Hamfest Finishes 2:00 P.M.**

**General Admission \$3.00  
Table \$7.00 including one admission  
Tailgate Vendors Welcome  
Door Prizes, Concession Booth  
Free Test Booth provided by S.V.A.R.C.**

**For More Information or Table Reservations, call:**

**Marc R. Tessier VE3TES  
Telephone: (613) 938-0132  
Packet: VE3TES @BBSIGM.#EON.ON.CAN.NOAM**



Cushcraft  
Factory  
Authorized  
Dealer

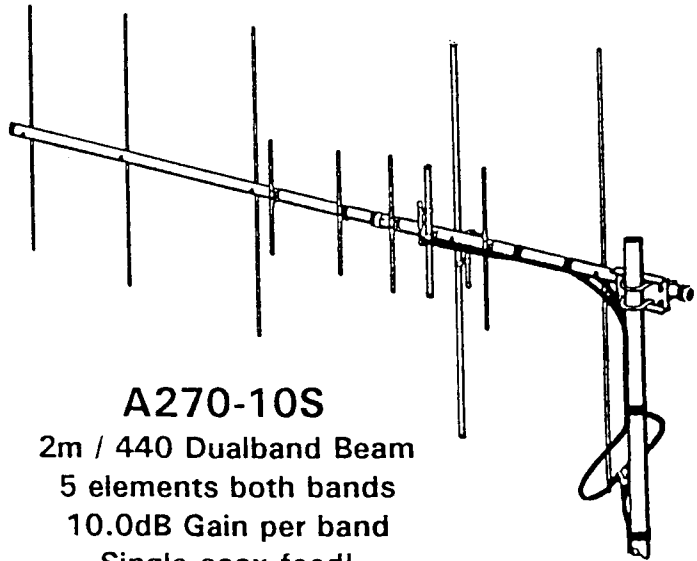


New Antennas from

-- In stock *NOW* at Seaway! --

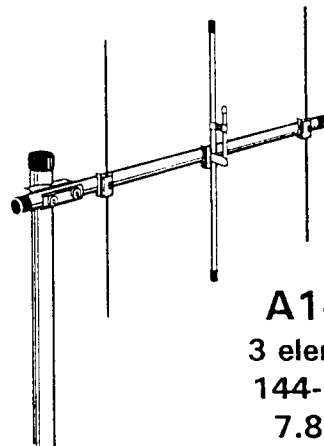
**ARX-270U**

2m / 440 Dualband  
9dB 2m / 12dB 440  
Fiberglass radome  
200w, 16.5 ft, 5 lbs.



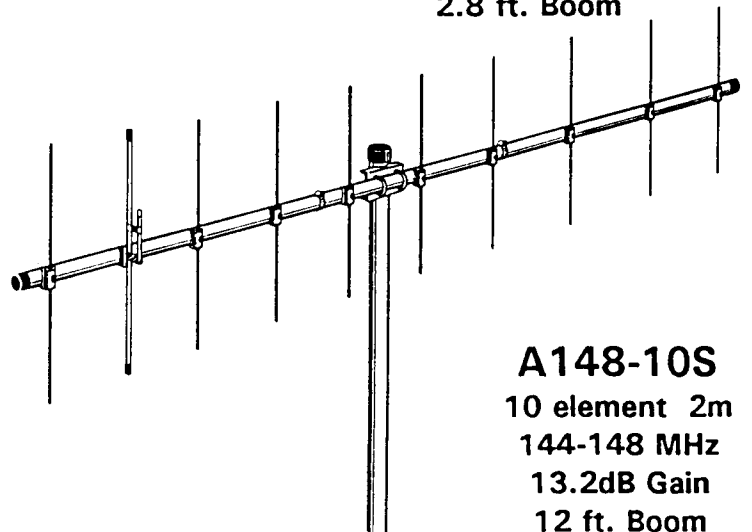
**A270-10S**

2m / 440 Dualband Beam  
5 elements both bands  
10.0dB Gain per band  
Single coax feed!



**A148-3S**

3 element 2m  
144-148 MHz  
7.8dB Gain  
2.8 ft. Boom



**A148-10S**

10 element 2m  
144-148 MHz  
13.2dB Gain  
12 ft. Boom

**AR-270B**

2m / 440 Dualband  
5.5dB 2m / 7.5dB 440  
250w, 7.7 ft, 2.4 lbs.



**SEAWAY VALLEY AMATEUR RADIO CLUB INC.**

**1993 FINANCIAL REPORT**

**INCOMING TREASURER'S REPORT**

I assumed possession of the club's financial records at 1993 year-end.

Early in 1994, I reviewed these records and made appropriate tests and recalculations which satisfied me that they were in order.

Following my review, I compiled the following 1993 financial report, which includes both explanatory notes and comparative amounts for 1992.

Although not a formal, independent audit, in my opinion as a professional accountant, this review and compilation provides the club with equivalent value at no cost.

*Andrew F. Rugg, C.A.*

**Andrew F. Rugg, C.A.**  
**(Callsigns: VE2EM/VA3TEE)**

**Cornwall, Ontario**  
**March 29, 1994**

**SEAWAY VALLEY AMATEUR RADIO CLUB INC.**

**COMPARATIVE BALANCE SHEETS**

**(AT DECEMBER 31ST FISCAL YEAR-END)**

	<u>1992</u>	<u>1993</u>
<b><u>ASSETS:</u></b>		
Cash	\$1,424.61	\$1,873.13
Repeater Installation (at nominal value)	<u>1.00</u>	<u>1.00</u>
	<b>\$1,425.61</b>	<b>\$1,874.13</b>
<b><u>DEFERRED REVENUE and SURPLUS/(DEFICIT):</u></b>		
Deferred membership dues	\$ 340.00	\$ 725.00
Contributed surplus	1,085.61	1,085.61
Accumulated surplus/(deficit):		
- after incorporation	<u>-</u>	<u>63.52</u>
	<b>\$1,425.61</b>	<b>\$1,874.13</b>

**SEAWAY VALLEY AMATEUR RADIO CLUB INC.**

**1993 FINANCIAL RESULTS**

	<b><u>REVENUE</u></b>	<b><u>EXPENSE</u></b>	<b><u>SURPLUS/ (DEFICIT)</u></b>
<b><u>MEMBERSHIP ACTIVITY:</u></b>			
Membership dues	\$1,622.00	-	
Newsletter advertising	100.00	-	
Christmas banquet	333.50	413.19	
Postage	-	303.96	
Printing	-	289.10	
Office supplies	-	95.44	
Miscellaneous	<u>6.88</u>	<u>165.50</u>	
	<u>2,062.38</u>	<u>1,267.19</u>	795.19
<b><u>SPECIAL:</u></b> Incorporation	<u>-</u>	<u>500.13</u>	(500.13)
<b><u>AMATEUR RADIO COURSES:</u></b>			
Course fees	1,670.00	-	
Course materials	-	648.74	
Licences	<u>-</u>	<u>436.00</u>	
	<u>1,670.00</u>	<u>1,084.74</u>	585.26
<b><u>HAMFEST:</u></b> Flea-Market	<u>1,715.47</u>	<u>1,048.39</u>	667.08
<b><u>"REPEATER" OPERATIONS:</u></b>			
Components, maintenance, etc.	162.65	1,096.53	
Insurance	<u>-</u>	<u>550.00</u>	
	<u>162.65</u>	<u>1,646.53</u>	(1,483.88)
<b>GRAND TOTAL</b>	<b><u>\$5,610.50</u></b>	<b><u>\$5,546.98</u></b>	<b><u>\$ 63.52</u></b>